

## Unions

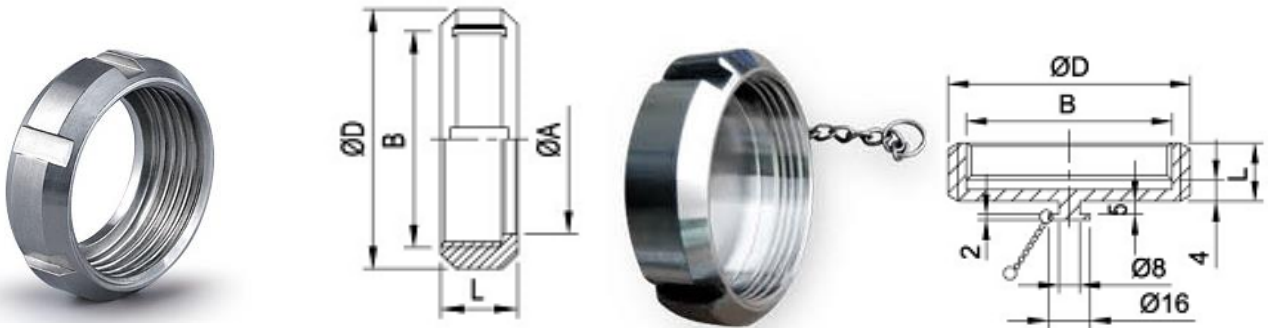
# SMS Union (Swedish Metric Standard)

The SMS Union is comprised of a round slotted nut, male part, a liner, and a gasket.

The male part and liner that comes in contact with the product come in SS 304 and SS 316L while the round nut is SS 304.

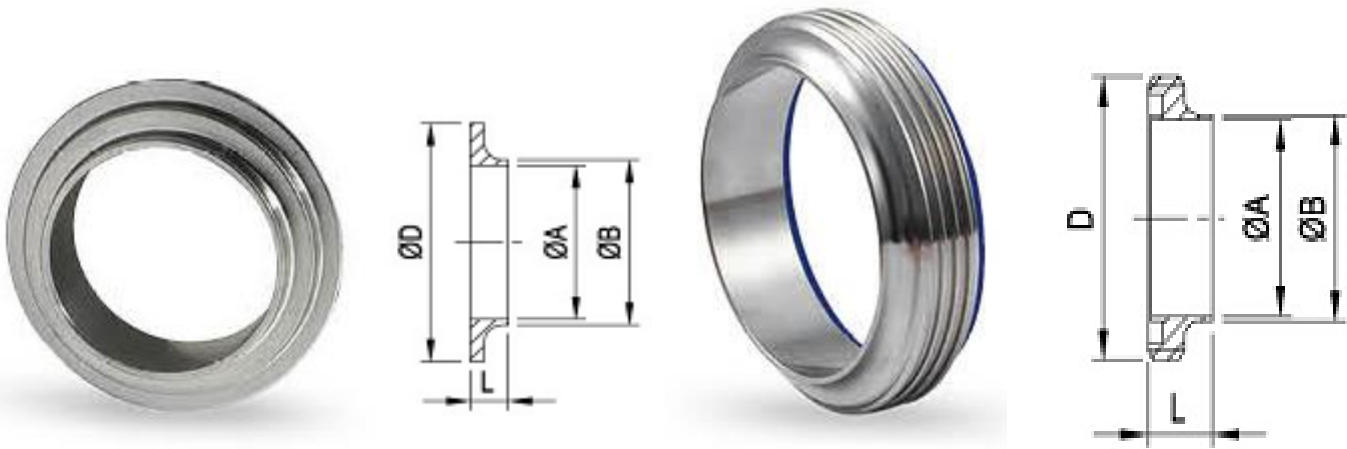
The gaskets comes in Teflon, BUNA, EPDM, Silicone, and Viton.

The easiest way to identify an SMS Union is its **L Shape Gasket**.



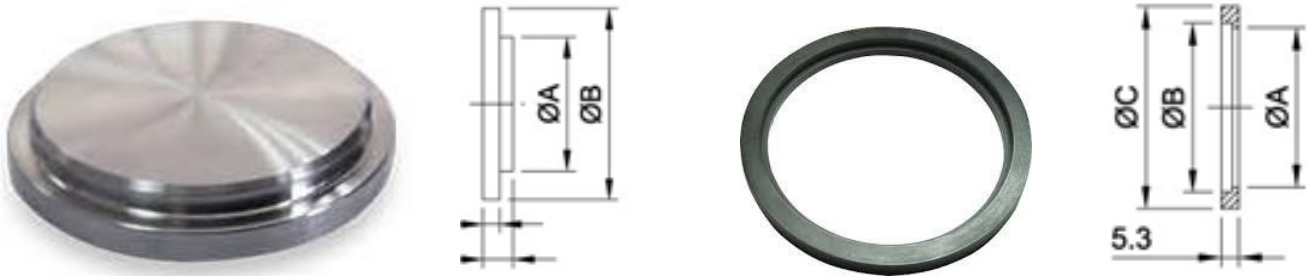
SMS Nut 6 Slots SMS-13R				
Size	ØA	B	ØD	L
DN25	32	RD40x1/6	51	19
DN32	40	RD48x1/4	60	22
DN38	48	RD60x1/6	74	23
DN51	60.5	RD70x1/6	84	24
DN63.5	74	RD85x1/6	100	28
DN76	87	RD98x1/6	114	30
DN101.6	113	RD125x1/4	138	31
DN104	113	RD125x1/4	138	31
DN104-B	117	RD132x1/6	150	31

SMS Blank Nut 13 RBN			
Size	B	ØD	L
DN25	RD40x1/6	51	19
DN32	RD48x1/4	60	22
DN38	RD60x1/6	74	23
DN51	RD70x1/6	84	24
DN63.5	RD85x1/6	100	28
DN76	RD98x1/6	114	30
DN104	RD125x1/4	138	31



Short Welding Liner SMS-14S				
Size	ØA	ØB	ØD	L
DN25	22.5	25	35.5	11
DN38	35.5	38	55	16
DN51	48.5	51	65	17
DN63.5	60.5	63.5	80	17
DN76	72	76	93	19
DN101.6	97.6	101.6	118	19
DN104	100	104	118	19
DN104-B	98.5	102.5	127	19

Short Welding Male SMS-15S				
Size	ØA	ØB	D	L
DN25	22.5	25	RD40x1/6	18
DN38	35.5	38	RD60x1/6	21
DN51	48.5	51	RD70x1/6	21
DN63.5	60.5	63.5	RD85x1/6	23
DN76	72	76	RD98x1/6	23
DN101.6	97.6	101.6	RD125x1/4	26
DN104	100	104	RD125x1/4	26
DN104-B	98.5	102.5	RD132x1/6	26



SMS-14B Blanks				
Size	ØA	ØB	ØC	L
DN25	32	35.5	3.5	7.5
DN38	48	55	5	9
DN51	60	65	5	10
DN63.5	73.5	80	5	10
DN76	86	93	5	11
DN104	112	118	6	11
DN104-B	116	128	6	11

Seal Ring L Shape (EPDM, Silicon, Viton)			
Size	ØA	ØB	ØC
DN25	22.8	25.1	38.1
DN38	35.8	38.1	47.8
DN51	48.8	51.1	60.8
DN63.5	61	63.6	73.3
DN76	73.4	76.1	85.8
DN104	100.5	104	115.7