

## Pipe Hangars

Our Dairy Pipe Supports are used to hang Food Grade Pipes.

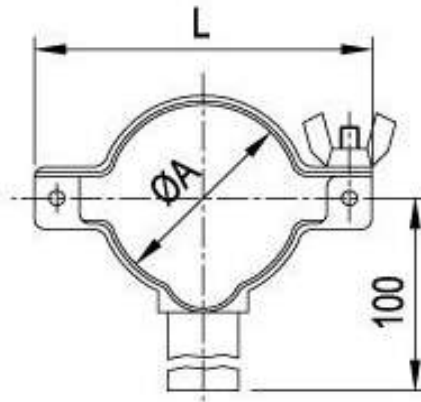
They come in **Bolted Type** and **Wing Nut Type**.

**Size Availability-** 0.5" to 4" (if you need other sizes, call us to request it)

**Material-** SS 304



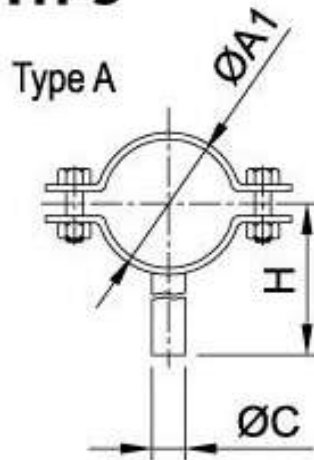
**TH-1**



TH-1 Pipe Support		
Size	øA	L
1"	25.4	66
1.5"	38.1	76
2"	50.8	90
2.5"	63.5	105
3"	76.2	120
4"	101.6/104	146
6"	152.4	-



**TH-5**



TH-5 Pipe Support			
Size	øA1	H	øC
1"	25.4	45	8
1.5"	38.1	51.5	10
2"	51	58	12
2.5"	63.5	64	12
3"	76.1	70.5	15
4"	101.6	60	15
5" / DIN 125	129	60	15
6" / DIN 150	154	60	15
8" / DIN 200	204	60	15
10" / DIN 250	254	60	15
12" / DIN 300	306	60	15