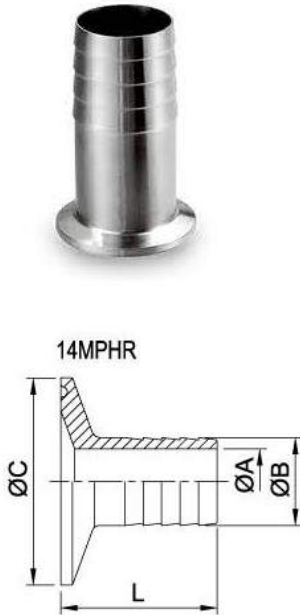


Hose Ferrule Adapter

Our Food Grade Stainless Hose Ferrule Adapters can be used to connect hoses to your pipe line without any special tools. Just attach a hose clip to your hose and adapter and its ready to use.

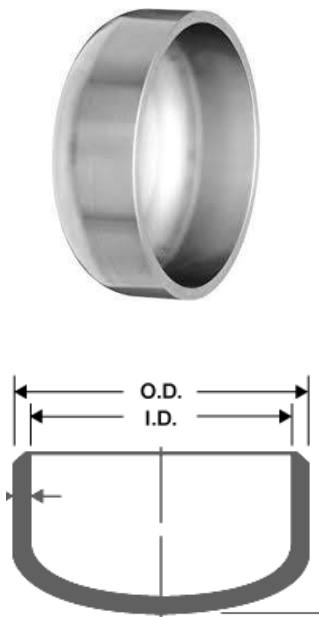
Size Availability- 0.5" to 4" (if you need other sizes, call us to request it)

Material- SS 304 or SS 316L



Size	ØA	ØB	ØC	L
0.5"	9.5	13.7	25	38
0.75"	15.8	21.4	25	38
1"	20.6	25.4	50.5	43
1.5"	33.2	38.1	50.5	43
2"	46	50.8	64	58.7
2.5"	58.7	63.5	77.5	59.5
3"	72	76.2	91	78.6
4"	97.6	101.6	119	85.5

Tube Cap



SMS / 3A	OD	ID	DIN	OD	ID
0.5"	12.7	9.4	-	-	-
0.75"	19.05	15.75	-	-	-
1"	25.4	22.1	DN25	29	26
-	-	-	DN32	35	32
1.5"	38.1	34.8	DN40	41	38
2"	50.8	47.5	DN50	53	50
2.5"	63.5	60.2	DN65	70	66
3"	76.2	72.9	DN80	85	81
4"	101.6	97.4	DN100	104	100
-	-	-	DN125	129	125
-	-	-	DN150	154	150