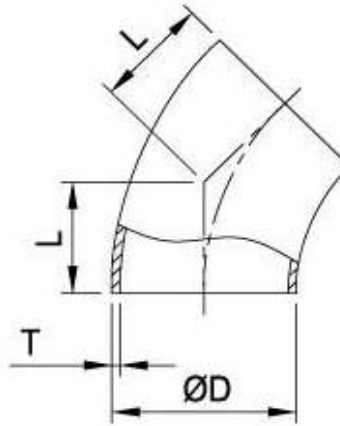
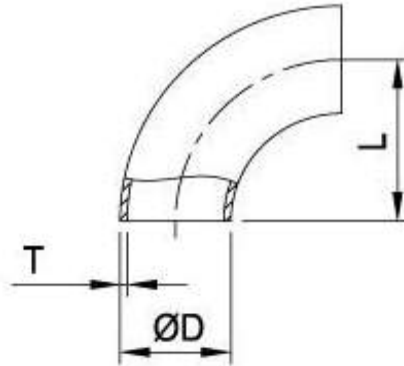


Pipe Line

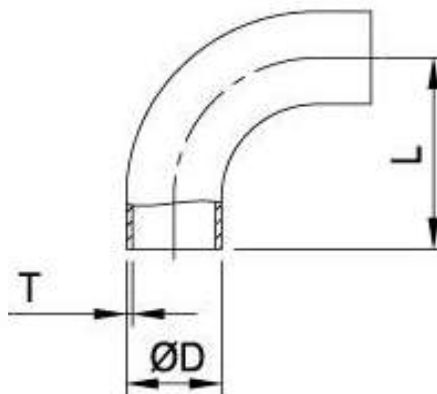
45 and 90 Deg Elbow



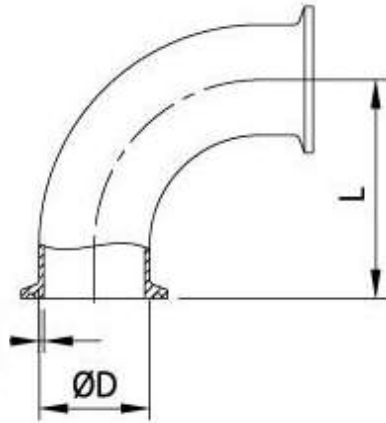
45 Deg Elbow			
Size	øD	L	T
0.5"	12.7	13.16	1.65
0.75"	19.05	23.8	1.65
1"	25.4	15.8	1.65
1.5"	38.1	23.8	1.65
2"	50.8	31.75	1.65
2.5"	63.5	39.6	1.65
3"	76.2	47.6	1.65
4"	101.6	63.5	2.1



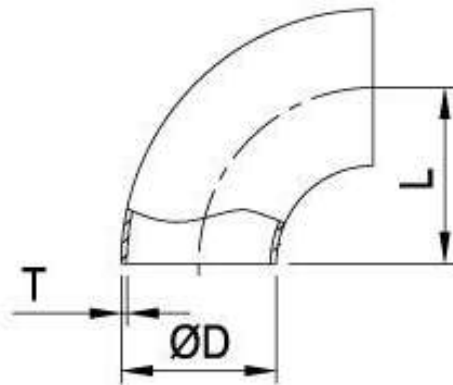
90 Deg Elbow			
Size	øD	L	T
0.5"	12.7	19.05	1.65
0.75"	19.05	28.58	1.65
1"	25.4	38.1	1.65
1.5"	38.1	57.2	1.65
2"	50.8	76.2	1.65
2.5"	63.5	95.25	1.65
3"	76.2	114.3	1.65
4"	101.6	152.4	2.1



90 Deg Long Elbow			
Size	øD	L	T
0.5"	12.7	45	1.65
0.75"	19.05	60	1.65
1"	25.4	52.4	1.65
1.5"	38.1	74.6	1.65
2"	50.8	103.2	1.65
2.5"	63.5	131.8	1.65
3"	76.2	160.3	1.65
4"	101.6	211.1	2.1



90 Deg Elbow with Ferrule Ends			
Size	øD	L	T
0.5"	12.7	41.3	1.65
0.75"	19.05	41.3	1.65
1"	25.4	50.8	1.65
1.5"	38.1	69.9	1.65
2"	50.8	88.9	1.65
2.5"	63.5	107.95	1.65
3"	76.2	127	1.65
4"	101.6	168.2	2.1



DIN 90 Deg Elbow			
Size	øD	L	T
DN 10	13	26	1.5
DN 15	19	35	1.5
DN 20	23	40	1.5
DN 25	29	50	1.5
DN 32	35	55	1.5
DN 40	41	60	1.5
DN 50	53	70	1.5
DN 65	70	80	2
DN 80	85	90	2
DN 100	104	100	2
DN 125	129	187.5	2
DN 150	154	225	2
DN 200	204	301	2
DN 250	254	375	2
DN 300	306	300	3