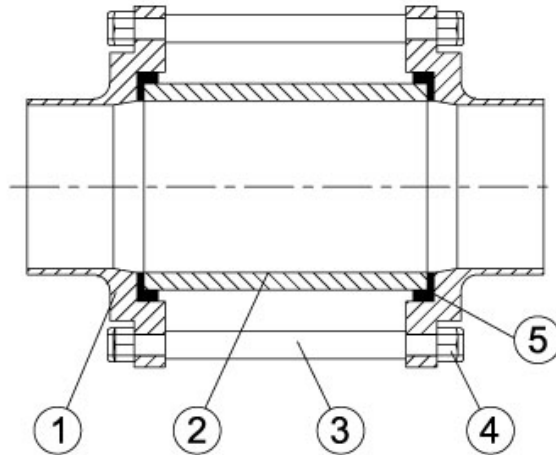


Sight Glass



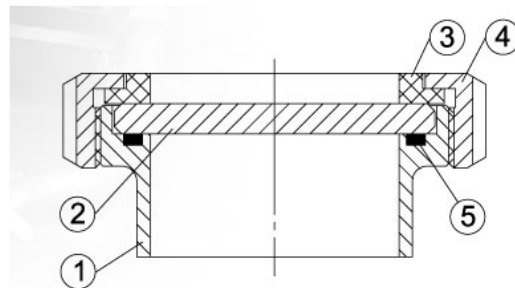
Size Availability- 1" to 4" (if you need a different size, call us to request it)

Material Availability- SS 316L body houses a Borosilicate Glass Tube

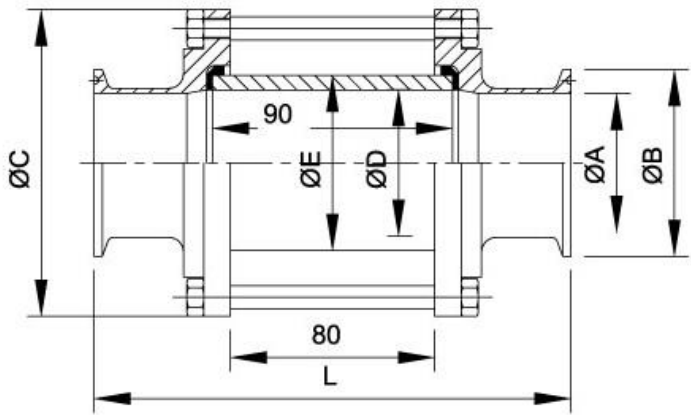
Connection Availability- Weld end, Ferrule End

Pressure Rating- 10 bar

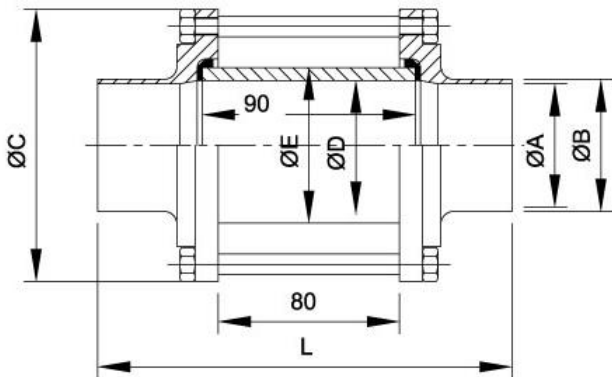
Components List	
No	Name
1	Body
2	High Press Clean Glass
3	Screw Bolt
4	Nylon Lock Nut
5	Seal



Components List	
No	Name
1	Body
2	High Press Clean Glass
3	Teflon Gasket
4	Nut
5	Seal



3A/BS Clamp End Sight Glass						
Size	øA	øB	øC	øD	øE	L
1"	22.1	50.5	79	26	32	143
1.5"	34.8	50.5	85	34	40	146
2"	47.5	64	105	50	60	150
2.5"	60.2	77.5	112	65	75	150
3"	72.9	91	125	75.4	85	156
4"	97.6	119	157	100	110	156



SMS Weld End Sight Glass						
Size	øA	øB	øC	øD	øE	L
DN25	22.5	25	79	26	32	148
DN38	35.4	38	85	34	40	156
DN51	48	51	105	50	60	160
DN63.5	60.2	63.5	112	65	75	160
DN76	72	76	125	75.4	85	162
DN104	100	104	157	100	110	168