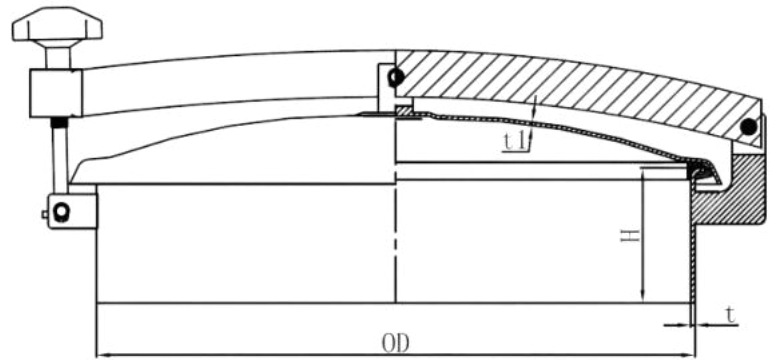
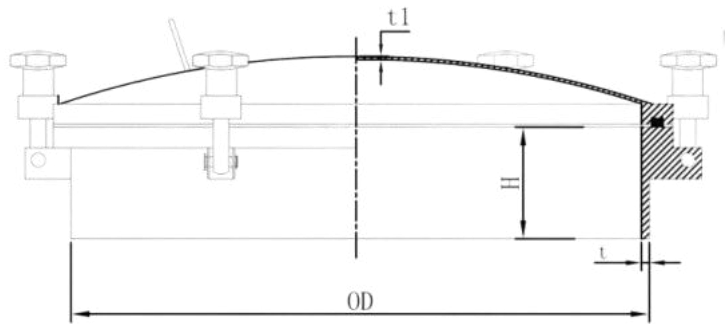


ROUND MANHOLE COVER



Round Non-Pressure Manhole Cover (0 – 0.1 Bar)

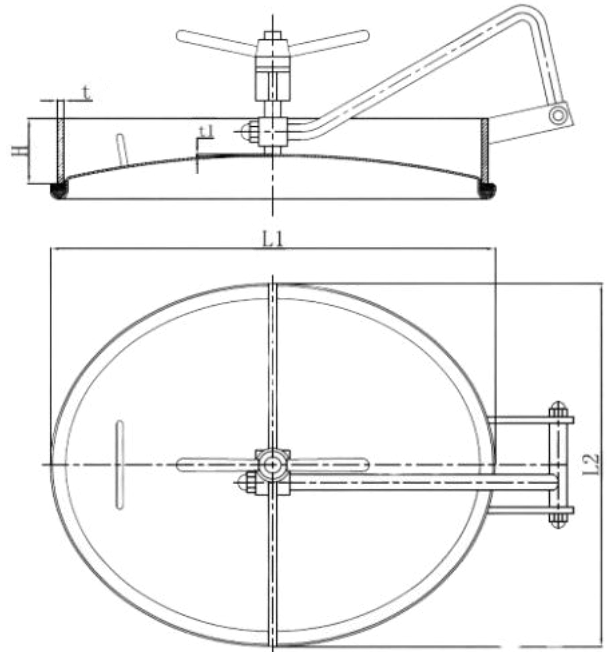
Size	Ø200	Ø300	Ø400	Ø420	Ø450	Ø460	Ø500	Ø600
OD	200	300	400	420	450	460	500	600
T	3	3	3	2.5	3	2.5	3	3
H	100	100	100	100	100	100	100	100
T1	2.5	2.5	2.5	2.5	2.5	2.5	2.5	2.5



Round Pressure Manhole Cover (-1 to 3 Bar)

Size	Ø200	Ø300	Ø400	Ø450	Ø500	Ø600
OD	206	306	406	456	506	605
T	3	3	3	3	3	3
H	100	100	100	100	100	100
T1	3	3	3	3	3	3
Handles	4	5	6	6	6	8

OVAL MANHOLE COVER



Oval Manhole Cover (-1 to 3 Bar)

Size (L1 x L2)	430mmx 330mm	435mmx 335mm	450mmx 350mm	530mmx 430mm	535mmx 435mm	635mmx 525mm
T	8	8	8	8	10	10
H	80	80	80	80	80	80
T1	2.5	2.5	3	3	3	3