

Three Way Plug Valve



Method of Operation-

Turn the handle rotates the conical plug inside the valve to divert and shut off flow.

The only Sanitary Valve to achieve shut off and divert flow at the same time.

Pros and Cons-

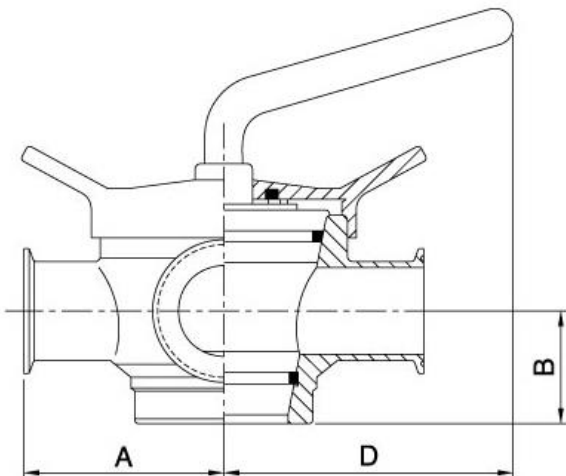
- Divert and shut off flow at the same time
- Relatively low pressure rating
- Hard to clean, has to be dismantled

Size Availability- 0.5" to 4" (if you need a different size, call us to request it)

Material Availability- Body in SS 304 or SS 316L, Gasket in EPDM or BUNA

Connection Availability- Weld end, Ferrule End, other Sanitary Union connections

Pressure Rating- Up to 1.7 bar, decreases along with size



2/3 Way Plug Valve for Weld/Male/Clamp Ends					
Size (OD)	Weld A	Male A	Clamp A	B	D
DN25/1"	66.3	95.3	94.9	26	139.19
DN40/1.5"	85.1	118.1	113.7	35	139.19
DN50/2"	114.2	149.2	142.8	45	143.01
DN65/2.5"	132	172	160.6	55	143.69
DN80/3"	168.6	213.6	197.2	70	143.81
DN100/4"	206.3	260.3	234.9	75	174.21