

Vacuum Pressure Valve



The sanitary pressure relief valve contains a disc supported by springs, when enough pressure is applied, the disc opens to allow unwanted pipe line air to flow through.

Method of Operation-

Works automatically when enough pressure pushes valve disc to release pipeline air pressure.

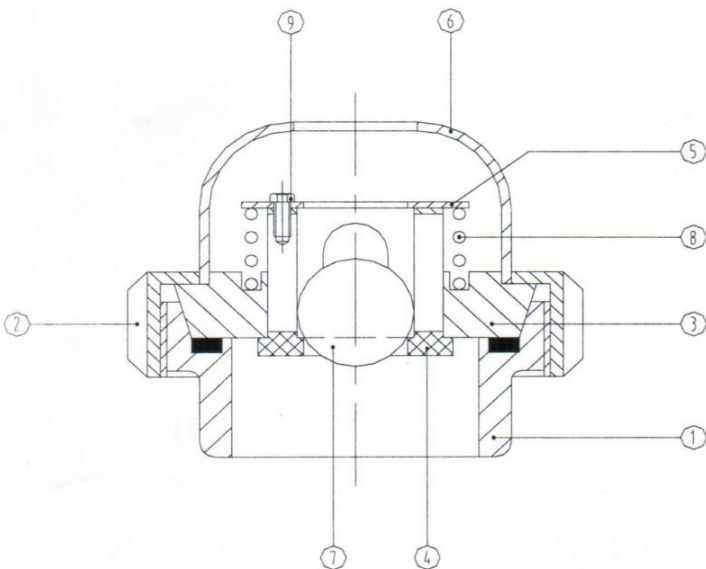
Similarly, when there is enough vacuum pressure present, the disc is pushed in the opposite direction to relief pipe line vacuum pressure.

Size Availability- 2.5" (if you need a different size, call us to request it)

Material Availability- Body in SS 304 and SS 316L

Connection Availability- Weld end

Pressure to Open Valve- 0.02 bar Opening Pressure or 0.01 bar Vacuum Pressure



Components List			
No.	Qty	Item Name	Material
1	1	Male Part	AISI 304L
2	1	Nut	AISI 304L
3	1	Taper Blank	AISI 304L
4	1	Locking Device	PTFE
5	1	Upper Disc	AISI 304
6	1	Cap	AISI 304
7	1	Ball	AISI 304
8	1	Vacuum Spring	AISI 304
9	2	Screw 3Max8	AISI 304