

## Butterfly Valve



### Method of Operation-

Turning the handle turns the disc either parallel or perpendicular or anywhere in between to control the flow.

Can be equipped with an Actuator to be controlled by air, spring, or electric.

### Pros and Cons-

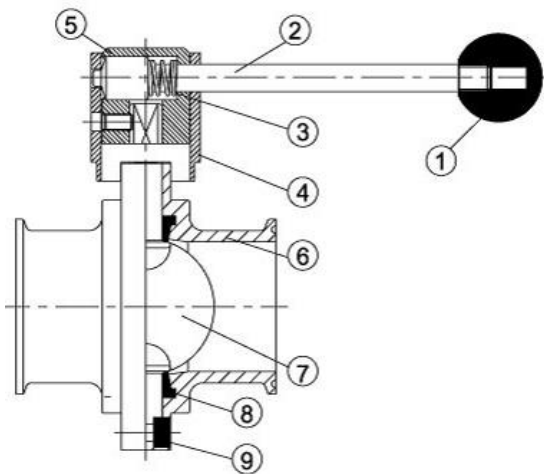
- Relatively inexpensive
- Few spare parts, easy to repair
- Lower pressure rating compared to ball valve

**Size Availability-** 0.5" to 4" (if you need a different size, call us to request it)

**Material Availability-** Body in SS 304 or SS 316L, Gasket in EPDM, Silicone, or BUNA

**Connection Availability-** Weld end, Ferrule End, other Sanitary Union connections

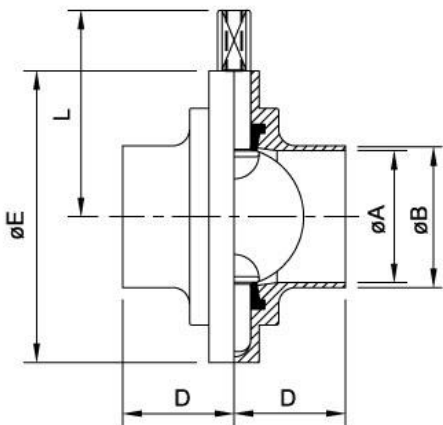
**Pressure Rating-** Up to 9.5 Bar, decreases along with size



### Components List

No.	Name
1	Knob
2	Steel Bar
3	Spring ST.ST
4	ST.ST
5	Holder
6	Body
7	Disc
8	EPDM Rubber Seat
9	Screw Bolt

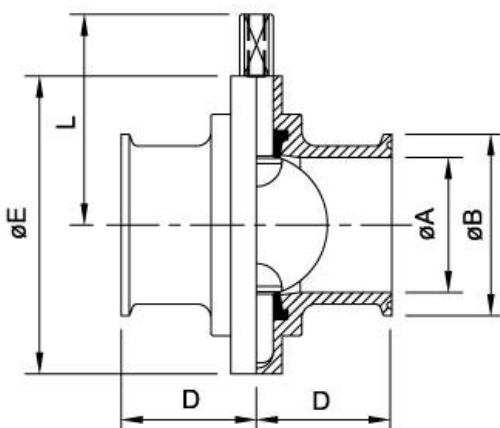
**3A/BS/SMS Weld/Weld Butterfly Valves**



Size	øA	øB	Size	øA	øB	D	øE	L
0.5"	9.5	12.7	-	-	-	34	79	61
0.75"	15.8	19.50	-	-	-	34	79	61
1"	22.1	25.4	DN25	22.5	25	34	79	61
1.5"	34.8	38.1	DN38	35.5	38	38	85	64.3
2"	47.5	50.8	DN51	48	51	40	105	74.3
2.5"	60.2	63.5	DN63	60.2	63.5	40	112	77.6
3"	72.2	76.2	DN76	72.1	76.1	41	125	84.8
4"	97.6	101.6	DN104	100	104	44	157	101.7
6"	146.8	152.4	-	-	-	57	214	138.9

**DIN Weld/Weld Butterfly Valves**

Size	øA	øB	D	øE	L
DN28	25	28	34	79	61
DN34	31	34	38	85	64.3
DN40	37	40	38	90	74.3
DN50	49	52	40	105	77.6
DN65	66	70	41	125	84.8
DN85	81	85	42	137	91.6
DN104	100	104	44	157	101.7



**3A Clamp/Clamp Butterfly Valves**

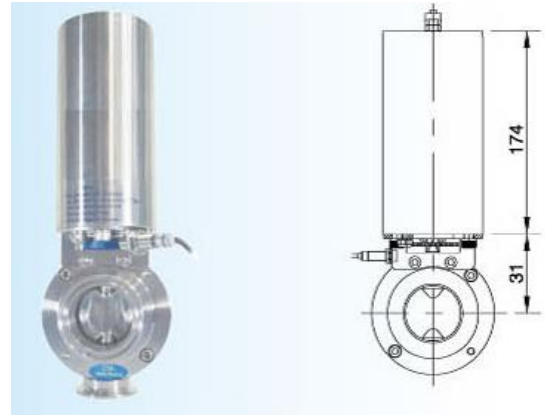
Size	øA	øB	D	øE	L
0.5"	9.5	25.2	34	79	61
0.75"	15.8	25.2	34	79	61
1"	22.1	50.5	33	79	61
1.5"	34.8	50.5	33	85	64.3
2"	47.5	64.0	35	105	74.3
2.5"	60.2	77.5	35	112	77.6
3"	72.2	91.0	38	125	84.8
4"	97.6	119.0	38	157	101.7
6"	146.8	166.8	57	213	138.9

## Butterfly Valve Actuator

### Actuator Instructions

#### C3 Operation Instructions

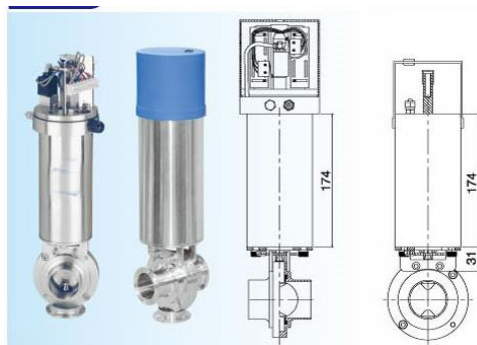
- 1) Applies to butterfly valves sizes 1"~3" of the disc Head DIA. 12mm x 8mm.
- 2) Signal transfer can be connected with M18 or M12 Screw proximity switch (PNP or NPN)
- 3) Air/Air (double effect) actuator or Air/Spring (simple effect).
- 4) Accessories: 1pc adapter, 2pcs M6 x 35 screw, 4pcs washer, 2pcs M6 nut, 1 pc 1/8PT quick Coupler.



C3 Actuator

#### C2 Operation Instructions

- 1) Applies to butterfly valves sizes 1"~3" of the disc Head DIA. 12mm x 8mm.
- 2) 2.1) Signal Transfer: a) with 10-30VDC proximity switch 1 or 2 pcs (PNP or NPN), b) or 3A 125 VAC, 30 VDC micro switch 2 pcs  
2.2) Individual Control: (a) or (b) or DC24 3.0W electric valve:1 pc and air manifold (for complete control box).
- 3) Air/Air (double effect) actuator or Air/Spring (simple effect).
- 4) Accessories: 1pc adapter, 2pcs M6 x 35 screw, 4pcs washer, 2pcs M6 nut, 1 pc 1/8PT quick coupler.

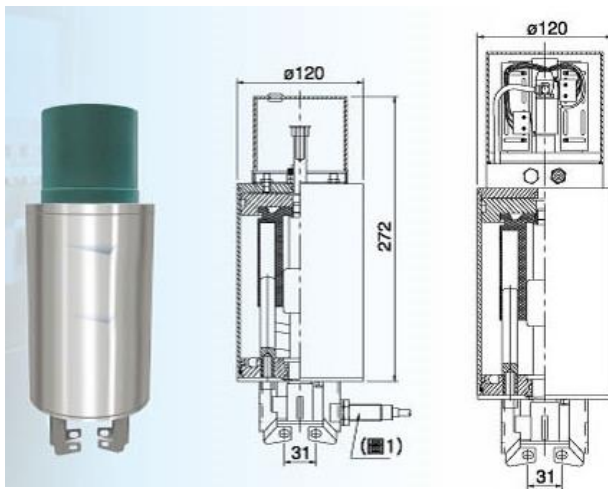


C3 Actuator

# NKE FLOW COMPONENTS SUPPLY SDN BHD

## C101 Operation Instructions

- 1) Applies to butterfly valves sizes 4"~6" of the disc  
Head DIA. 12mm x 8mm.
- 2) 2.1) Signal Transfer: a) with 10-30VDC proximity switch 1 or 2 pcs (PNP or NPN),  
b) or 3A 125 VAC, 30 VDC micro switch 2 pcs
- 2.2) Individual Control: (a) or (b) or DC24 3.0W electric valve:1 pc and air manifold  
(for complete control box).
- 3) Air/Air (double effect) actuator or Air/Spring (simple effect).
- 4) Accessories: 1pc adapter, 2pcs M6 x 35 screw, 4pcs washer, 2pcs M6 nut,  
1 pc 1/8PT quick coupler.



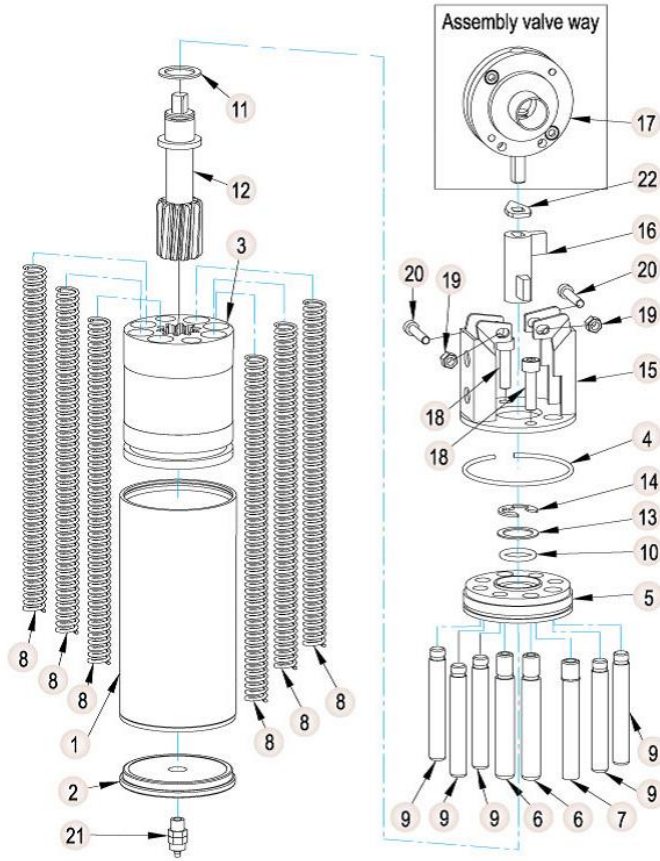
C101 Actuator

Actuator Data			
	C2	C3	C101
Shut Off Time (seconds)	1.5	1.5	1.7
Weight (kg)	3.85	3.85	4.7
Operating Air Pressure 6Kg/cm <sup>2</sup>	5-9 bar	5-9 bar	5-9 bar
Air Consumption at 5 bar	0.266 liters	0.266 liters	0.550 liters
Material	SS 304	SS 304	SS 304
Equipped with Actuator Control Box	Yes	No	Yes
Max Output Torque (N/M)	20	20	30

# NKE FLOW COMPONENTS SUPPLY SDN BHD

## Actuator Components List

No.	Item Name	QTY	Material
1	Cylinder	1	SS 304
2	Cylinder Cap	1	SS 304
3	Piston	1	Tenac 4010/SH410
4	Lock Wire Clip	1	SS 304
5	Lower Cylinder End	1	SS 304
6	Piston Guide Part	2	SS 304
7	Piston Guide Part	1	SS 304
8	Compress Spring	6	SS 304
9	Piston Guide Part	5	SS 304
10	Piston Axle O-Ring	1	Teflon
11	Teflon Gasket	1	Teflon
12	Coupling Axle Piece	1	SS 304
13	Contact Seal	1	SS 304
14	Clip	1	SS 304
15	Mounting Bracket	1	SS 304
16	Connection Piece	1	SS 304
17	Assembly Valve Way	1	SS 304
18	M8x12 Screw	2	SS 304
19	M6 Nut	2	SS 304
20	M6x35 Screw	2	SS 304
21	Air Connection	1	Copper
22	Positioning Index	1	SS 304



## Control Box Components List

No.	Item Name	QTY	Material
1	Cover	1	PC or SS304
2	Switch Plate	1	SS 304
3	Plastic Hanger	2	SS 304
4	Micro Switch	2	3A 125 VAC 30 VDC
5	Air Manifold	1	Plastic or SS 304
6	Electro-valve	1	DC24 3.0W
7	Air Connection	1	Copper
8	E/N Connect Piece	1	SS 304

