

# IDF Union

The IDF (International Dairy Federation) Union is comprised of nut, male part, a liner, and a gasket.

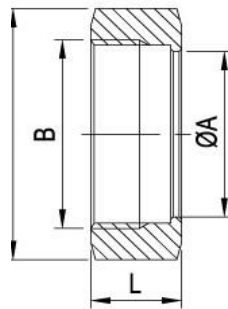
The male part and liner that comes in contact with the product come in SS 304 and SS 316L while the round nut is SS 304.

The gaskets comes in Teflon, BUNA, EPDM, Silicone, and Viton.

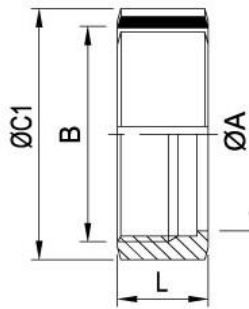
The easiest way to identify an IDF Union is its **T Shape Gasket**.



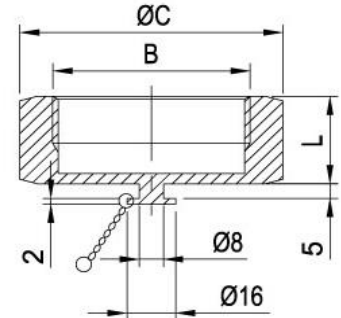
**IDF-13H**



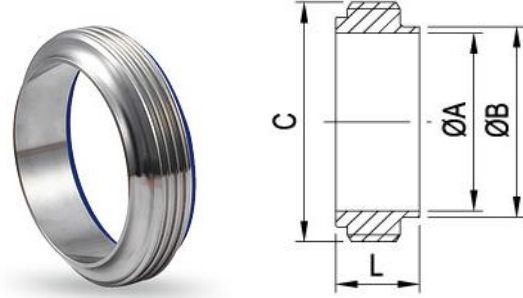
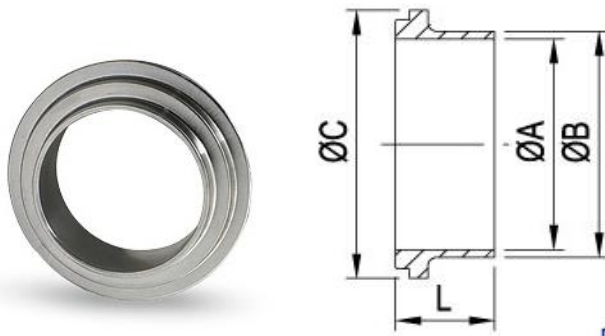
**IDF-13R**



**IDF-13HBN**

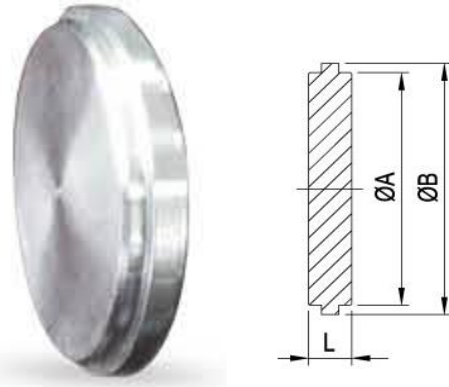


IDF-13 Nut						
Size	$\phi A$	B	$\phi C$	$\phi C1$	L	
1"	30.5	34.34x8T ACME	46	48	30	
1.5"	43.5	47.86x8T ACME	60	64	30	
2"	57	61.37x8T ACME	75	77	30	
2.5"	70.7	74.88x8T ACME	90	91	30	
R 3"	83.3	88.4x8T ACME	106	106	30	
H 3"	83.3	88.4x8T ACME	105	105	30	
R 4"	112	115.41x8T ACME	135	135	34.9	
H 4"	112	122.05x6T ACME	133	133	34.9	



IDF Welding Liner IDF-14						
Size	IDF		JIS		ØC	L
	ØA	ØB	ØA	ØB		
1"	22.6	25.6	23	25.4	33.8	21.5
1.5"	35.6	38.6	35.7	38.1	47	21.5
2"	48.6	51.6	47.8	50.8	60.5	21.5
2.5"	60.3	61.1	59.5	63.5	74	21.5
3"	72.9	76.7	72.3	76.3	87.5	21.5
R 4"	97.6	101.6	-	-	120.6	30
H 4"	97.6	102.5	97.6	101.6	114.1	21.5

IDF Welding Male IDF-15						
Size	IDF		JIS		ØC	L
	ØA	ØB	ØA	ØB		
1"	22.1	25.4	23	25.4	37.13x8T ACME	21.5
1.5"	34.8	38	35.7	38.1	50.65x8T ACME	21.5
2"	47.5	51	47.8	50.8	64.16x8T ACME	21.5
2.5"	60.2	63.5	59.5	63.5	77.76x8T ACME	21.5
3"	72.9	76.2	72.3	76.3	91.19x8T ACME	21.5
R 4"	97.6	101.6	-	-	118.2x8T ACME	30
H 4"	97.6	102.5	97.6	101.6	125.9x6T ACME	21.5



IDF Seal Ring		
Size	ØA	ØB
1"	23	32.5
1.5"	36	46
2"	49	59.5
2.5"	60.7	73.2
3"	73.2	86.5
4"	98	113
6"	98	119.6

IDF-14B Blanks			
Size	ØA	ØB	L
1"	29.2	33.8	10.5
1.5"	42.7	47	10.5
2"	56.2	60.5	10.5
2.5"	69.9	74	10.5
3"	82.6	87.5	10.5
R 4"	111.1	114.1	12.6
H 4"	111.1	120.6	12.6