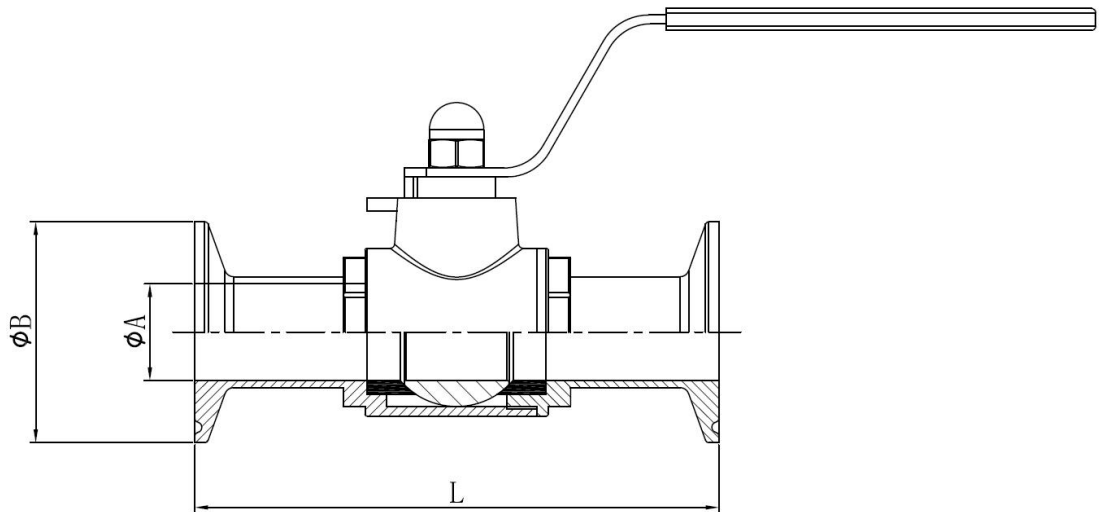


TWO-PIECE BODY BALL VALVE



Two-Piece Body Ball Valve

Size	ϕA	ϕB	L
0.5"	9.4	25	74
0.75	15.8	25	99.5
1"	22.1	50.5	110
1.5"	34.8	50.5	134
2"	47.5	64	156.5
2.5"	60.2	77.5	170
3"	72.9	91	195
4"	97.4	119	240