

Manhole Covers

Round Manhole Cover

Method of Operation-

Loosening the handle opens the lid to allow maintenance personnel to enter the tank for cleaning and maintenance purposes.

Pros and Cons-

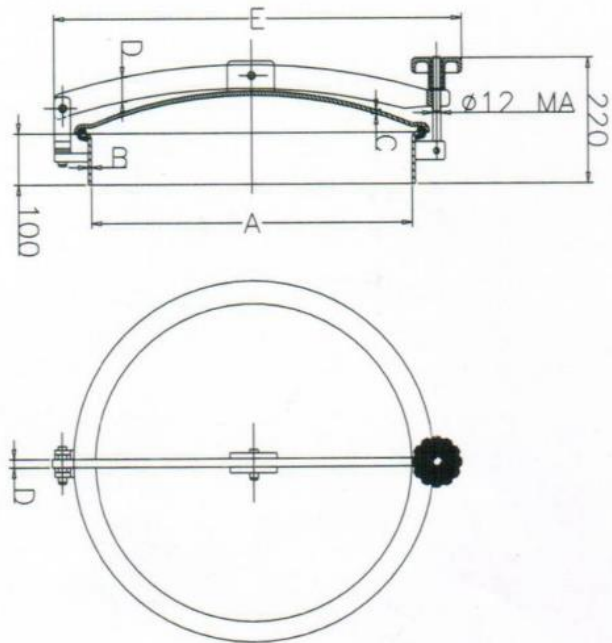
- The durable design only requires the gaskets to be replaced even after years of use

Size Availability- 200mm to 600mm (if you need other sizes, call us to request it)

Material Availability- Body in SS 304 or SS 316L, Gasket in EPDM, Silicone, BUNA, and Viton

Connection Availability- Weld end

Pressure Rating- Up to 5 Bar (if you need a stronger unit, call us to request it)



Round Manhole Cover							
A	Ø200	Ø300	Ø420	Ø450	Ø460	Ø500	Ø600
B	2.5	2.5	2.5	2.5	2.5	2.5	2.5
C	2	2	2.5	2.5	2.5	2.5	2.5
D	30x8	35x8	40x10	40x10	40x10	40x10	40x10
E	320	425	560	605	605	640	740

Oval Manhole Cover

