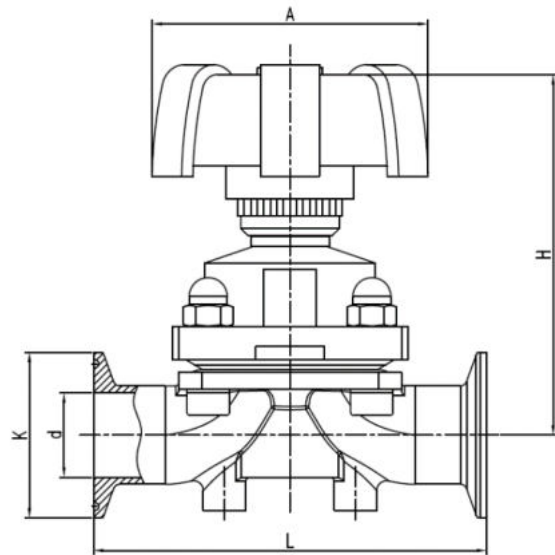


Diaphragm Valve



Diaphragm Valve with Ferrule Ends and Weld Ends

Size		L	A	K x d Ferrule	K x d Weld	H
0.5"	DN10	89	33	25 x 9.4	12.7 x 9.4	70
0.75	DN15/20	109	58	25 x 15.8	19.1 x 15.8	70
1"	DN25	127	90	50.5 x 22.1	25.4 x 22.4	119
1.25"	DN32	159	90	50.5 x 28.5	31.8 x 28.5	139
1.5"	DN40	159	114	50.5 x 34.8	38.1 x 34.8	139
2"	DN50	190	140	64 x 47.5	50.8 x 47.5	150
2.5"	DN65	216	140	77.5 x 60.2	63.5 x 60.2	162
3"	DN80	256	140	91 x 72.9	76.2 x 72.9	170
4"	DN100	350	140	119 x 97.4	101.6 x 97.4	