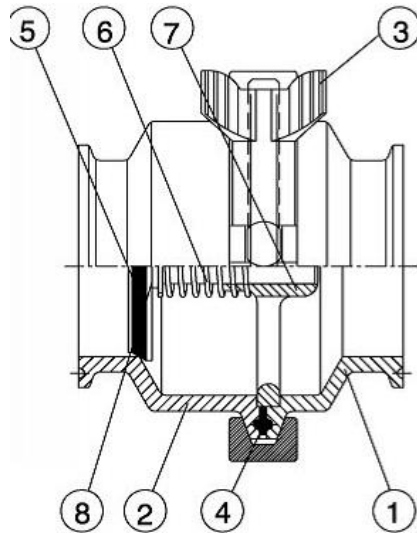


Non-Return Valve / Check Valve



Components List	
No	Name
1	Short Body
2	Long Body
3	Clamp
4	13 PG
5	Seal Ring
6	ST.ST Spring
7	Flow Support Plate
8	Disc

The sanitary check valve contains a stainless steel body which houses a disc supported by a spring. When enough pressure is applied, the disc opens and allows product to flow through.

Method of Operation-

Works automatically when enough flow pressure pushes the disc so that the product flows through.

When pressure is not high enough, the disc remains pushed shut so that product does not flow through.

Pros and Cons-

- Relatively small automatically operating valve body helps save space in tight pipe line situations
- Spare parts are few and replaceable
- A minimal pressure drop in pipe line flow due to disc always staying in the path of the flow

Size Availability- 0.5" to 4" (*if you need a different size, call us to request it*)

Material Availability- Body in SS 316, Gaskets in EPDM

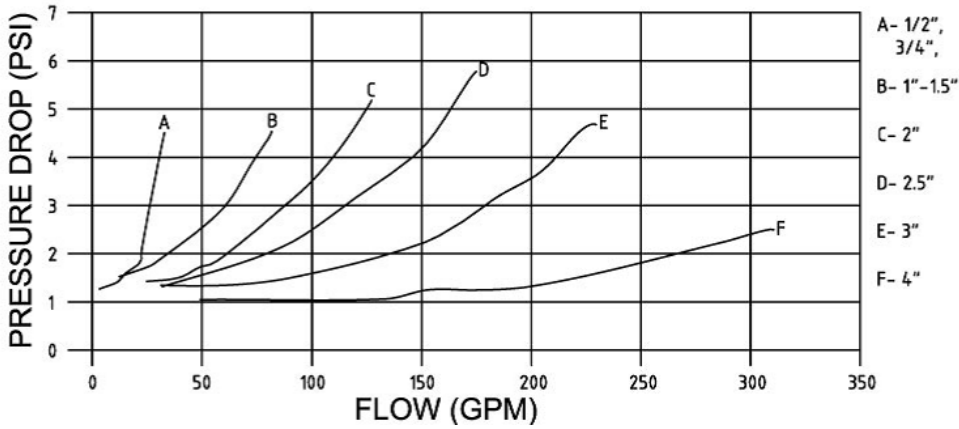
Connection Availability- Weld end, Ferrule End

Pressure to Open Valve- 0.5 psi to 3 psi depending on size

Pressure required for opening the valve fitted in a vertical pipe, max pressure is 10 bar

Spring Check Valve Pressure Drop

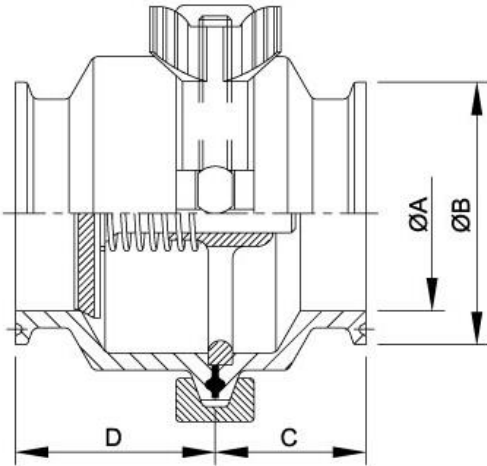
(fig. 3)



Note:
For the diagram the following applies:
Medium: Water(20°C)

Opening Pressure

0.5"	0.75"	1"	1.5"	2"	2.5"	3"	4"	(PSI)
0.5	0.5	3	1.6	0.6	1.3	0.8	0.9	



Check Valve Middle Clamp/Clamp End

3A/BS	ϕA	ϕB	DIN	ϕA	ϕB	SMS	ϕA	ϕB	C	D
0.5"	9.5	25.2	-	-	-	-	-	-	28.5	39.5
0.75	15.8	25.2	-	-	-	-	-	-	28.5	39.5
1"	22.1	50.5	DN25	25	50.5	DN25	22.5	50.5	34	48
1.5"	34.8	50.5	DN32	31	50.5	DN38	35.5	50.5	36	48
2"	47.5	64	DN40	37	64	DN51	48.5	64	36	48
2.5"	60.2	77.5	DN50	49	77.5	DN63	60.3	77.5	36	48
3"	72.9	91	DN65	66	91	DN76	72.1	91	36	48
4"	97.6	119	DN100	100	119	DN104	100	119	47	54